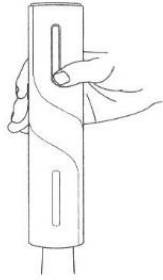


Press the extract button and hold, slightly press the opener body downward at the same time. The spiral will turn in a clockwise direction and enter the cork, then gradually remove it from the bottle in 6-8 seconds. When the cork is entirely pulled out, the wine opener stops automatically. Release the button and take the opener off from the bottle.



Press the upper release button and hold for 5-7 seconds, the cork automatically comes out from the opener, release the button, and complete the opening process.



*This product is suitable for corks with a diameter of between 20mm and 24 mm and a height of 44mm.

*This product is suitable for wine bottles with an bottleneck outer diameter of not more than 35 mm and an bottleneck inner diameter of between 17.5 mm and 23 mm.

CAUTIONS

- Hold the product body and the wine bottle firmly during use.
- The blade of foil cutter is sharp. Don't touch with fingers.
- Please store this product out of reach from children.
- Align the product body with the wine bottle as much as possible, or otherwise the cork cannot be pulled out easily.

TROUBLESHOOTING

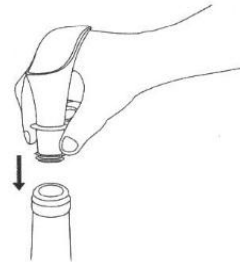
If the opener cannot work or stops in the middle of uncorking:

- Please charge the opener before use it to open the bottle again. (Note: It is recommended not to use the product while charging.)
- Please press the release button until wine opener is entirely separated from bottle, and re-open after ensuring the opener body is aligned with the wine bottle.

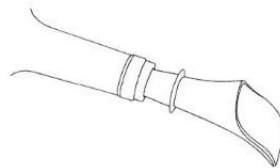
If the above operations are all correct and the opener still works abnormally, please contact the vendor for maintenance service.

HOW TO USE THE WINE POURER

- Insert the wine pourer into the bottleneck.



- Tilt the bottleneck to pour wine out from the wine pourer.



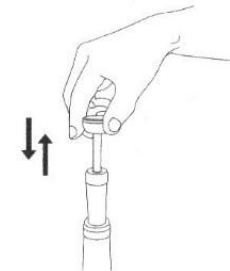
*This product is suitable for wine bottles with an bottleneck inner diameter of between 18 mm and 19 mm.

HOW TO USE MANUAL VACUUM PUMP SEALER

- Insert the sealer into the bottleneck firmly.



- Pull the handle up and down for about 15 times (for bottles with half wine left).



- Store the bottle in a wine cabinet or refrigerator for better preserving effects. It is recommended to finish in 7 days.

*This product is suitable for wine bottles with an bottleneck inner diameter of between 17.5 mm and 20 mm.

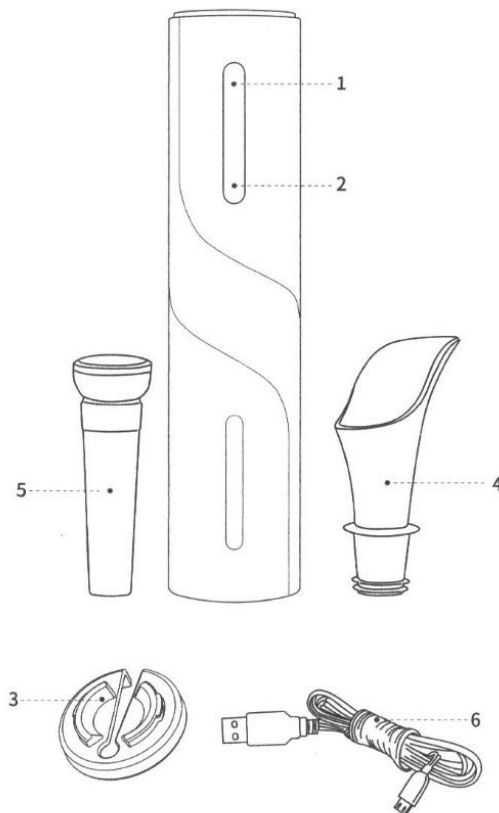
EN Thank you for purchasing the electric wine opener gift set.

BEFORE USING FOR THE FIRST TIME

To ensure safety and maintain the high quality of the product, we recommend that you read and follow the instructions carefully.

- Do not immerse the appliance in water or any other liquid to avoid harm to human or the product.
- Keep body parts (e.g. hands) and utensils away from corkscrew to avoid damage.
- Keep this product away from children.
- Do not dismantle the product by yourself, or otherwise warranty will be invalid.
- Do not press the product onto a bottle with sudden force or attempt to speed up the mechanism. This product works best when operating at its intended speed.
- No extended use is allowed.
- Keep away from flammable, explosive gas.

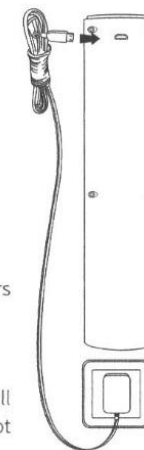
PRODUCT DESCRIPTION



1. Release button
2. Extract button
3. Foil cutter
4. Wine pouter
5. Manual vacuum pump sealer
6. USB charging line

HOW TO CHARGE

Connect the USB charging line with an adapter, plug the adapter into an electric socket, then connect the charging line to the USB interface at the back of the opener.



CAUTIONS

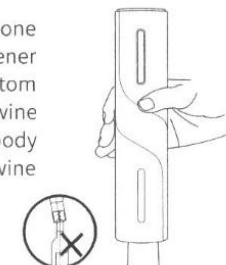
- It is recommended to charge 10 hours before using for the first time.
- This product is charged with small current. Long-term charging will not cause damage to this product.
- If the product is not in use, the standby time is one month. After more than one month, please charge it again.
- It takes at least 12 hours to fully charge the battery.

HOW TO USE THE WINE OPENER

Take the foil cutter off and put onto the bottleneck, hold with fingers by force, rotate the bottle in parallel for more than one circle, and cut off the foil seal.



Hold the bottle firmly with one hand and hold the wine opener with the other. Place the bottom of opener body on top of the wine bottle to ensure the opener body remains in line with the wine bottle as much as possible.



C 感谢您购买电动开瓶器礼盒套装。

首次使用产品前

为确保安全并保持本产品的高品质,我们建议您仔细阅读使用说明,并严格遵守这些指示。

- 禁止把本产品放入水或其它液体中,以免对人体或产品造成损伤。
- 使用时手及家用器具不要触及到螺旋钩以免造成损伤。
- 禁止儿童使用本产品。
- 禁止用户私自拆卸本产品,否则保修期限将不再有效。
- 禁止猛力将本产品压在酒瓶上,或试图加快开瓶的速度。本产品在其设定速度下工作效果最佳。
- 请不要把本产品作其它用途使用。
- 请不要在有易燃、易爆性气体周围使用本产品。

产品规格

品名: SGS-KP1-361901电动开瓶器套装

型号: SGS-KP1-361901

执行标准: 电动开瓶器: Q/440402 KLT 26

割锡纸刀: Q/KLT 3

倒酒器: Q/440402 KLT 27

真空抽气瓶塞: Q/KLT 6

额定电压/功率: 3.6V~/25W

输入电压/功率: 5V~/10W

工作噪音: <75dB

主要材质: 电动开瓶器: ABS、PC

割锡纸刀: ABS

倒酒器: 食品接触用亚克力

真空抽气瓶塞: PC、食品接触用TPE

电动开瓶器型号/数量: KP1-361901/1件

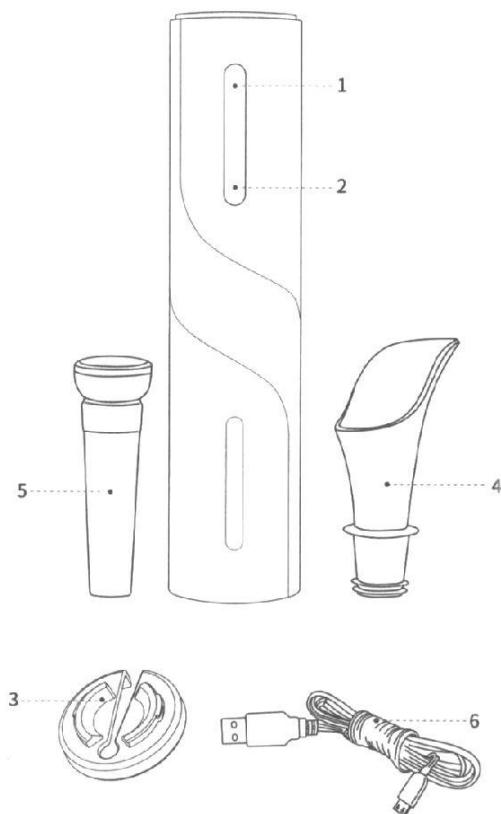
割锡纸刀型号/数量: FC-01/1件

倒酒器型号/数量: WP-002/1件

真空抽气瓶塞型号/数量: SP-016/1件

充电器型号/件数: CDX-01/1件

产品描述



1. 退塞按键

2. 开瓶按键

3. 割锡纸刀

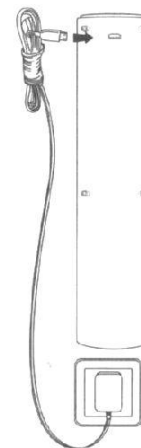
4. 倒酒器

5. 真空抽气瓶塞

6. 充电线

如何充电

USB充电线与一个USB适配器连接,将适配器插入插座口,USB充电线接口插入到机身背部的充电孔中。



注意事项

- 第一次使用前,请按照上述方法充电10小时以上。
- 本产品为小电流充电,长期充电不会导致产品损坏。
- 本产品在不使用的情况下,待机时间为一个月,超过一个月后,请再次充电后再用。
- 充满电需要12个小时以上。

如何使用开瓶器

将割锡纸刀取下来,卡在酒瓶口上,手指稍微用力并保持,平行左右转动,即可割下锡纸帽。



一只手牢固扶住酒瓶,另一只手握住开瓶器主体,将开瓶器主体下端套在红酒瓶口上,尽量保持开瓶器主体与红酒瓶对口。



按下开瓶按键并保持住，同时稍微向下压开瓶器主体，约6-8秒钟，开瓶器自动将红酒塞拔出来，当酒塞被完全拔出后，开瓶器将自动停止工作，此时可松开开瓶按键，将开瓶器从酒瓶上取下来。



按下上方退塞按键并保持住，约5-7秒后，红酒塞会自动从开瓶器主体中退出，松开按键，全过程结束。



*本产品仅适用于直径为20-24mm，高度为44mm的木塞。

*本产品仅适用于瓶口外径不大于35mm，瓶口内径为17.5-23mm的酒瓶。

安全提示

- 使用时请握紧本产品的主机，并同时扶稳酒瓶。
- 割锡纸刀刀片很锋利，手指请勿触碰。
- 请将此产品放置在儿童触摸不到的地方存放。
- 使用时尽量保持主体对直酒瓶，否则可能酒塞无法顺利地拔出。

故障与排除

按下功能键无反应或拔塞一半就停止工作

- 请充电后再使用（注意：请勿边充电边使用开瓶器）。
- 再次下压开瓶器，使螺旋钩反方向旋转并完全脱离酒塞。然后在确保开瓶器主体与酒瓶对直后重新开瓶。

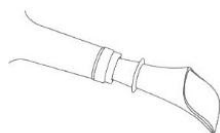
如以上操作均正确，开瓶器仍不能正常工作，请联系经销商咨询维修事宜。

如何使用倒酒器

- 将倒酒器的胶套用力塞入酒瓶口。



- 将瓶口倾斜，让酒通过倒酒器流出。



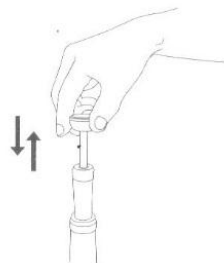
*本产品仅适用于瓶口内径为18-19mm的酒瓶。

如何使用真空抽气瓶塞

- 用力将瓶塞插入瓶口。



- 上下抽动把手约15次（瓶内剩余半瓶酒的情况）。



- 将封存好的酒瓶放进酒柜或冰箱可提升保鲜效果。

- 建议在7天内饮用完。

*本产品仅适用于瓶口内径为17.5-20mm的酒瓶。

限用物质声明

本表格是根据《电子信息产品污染控制限量要求》的行业标准要求，对KP1-361901电动开瓶器零部件中标注规定的有害物质或元素含量所做的说明。



电子信息产品名称: KP1-361901电动开瓶器

部件名称	有害物质					
	铅 (Pb)	汞 (Hg)	镉 (Cd)	六价铬 (Cr)	多溴联苯 (PBB)	多溴二苯醚 (PBDE)
导线	○	○	○	○	○	○
电机	○	○	○	○	○	○
外壳	○	○	○	○	○	○
螺钉	○	○	○	○	○	○
弹簧	○	○	○	○	○	○
PCB板	○	○	○	○	○	○
螺旋钩	○	○	○	○	○	○
按键	○	○	○	○	○	○
齿轮箱	○	○	○	○	○	○
割锡纸刀	○	○	○	○	○	○
胶袋	○	○	○	○	○	○
包装印刷品	○	○	○	○	○	○

本表格依据SJ/T 11364的规定编制。

○: 表示该有害物质在该部件所有均质材料中的含量均在GB/T 26572规定的限量要求以下。

×: 表示该有害物质至少在该部件的某一均质材料中的含量超出GB/T 26572规定的限量要求。

